

## Installing slides into electronic enclosures

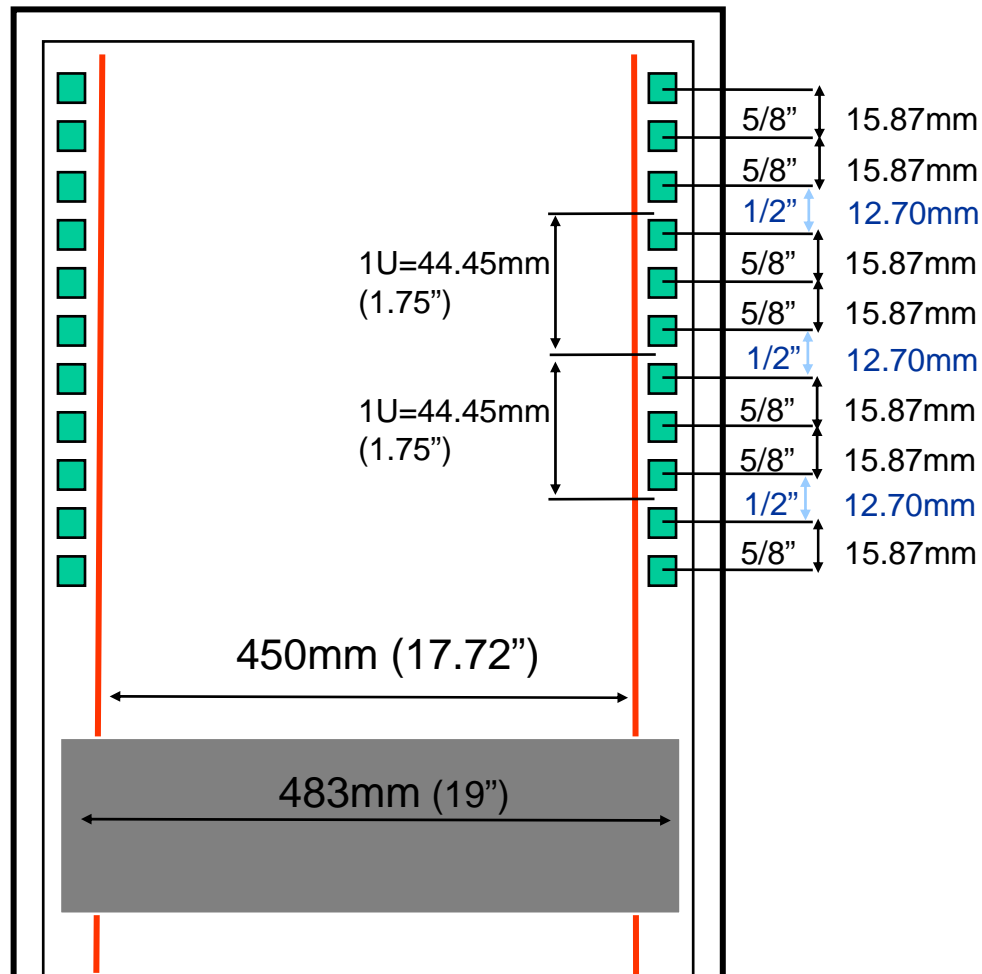


Installing slides into electronic enclosures 2012

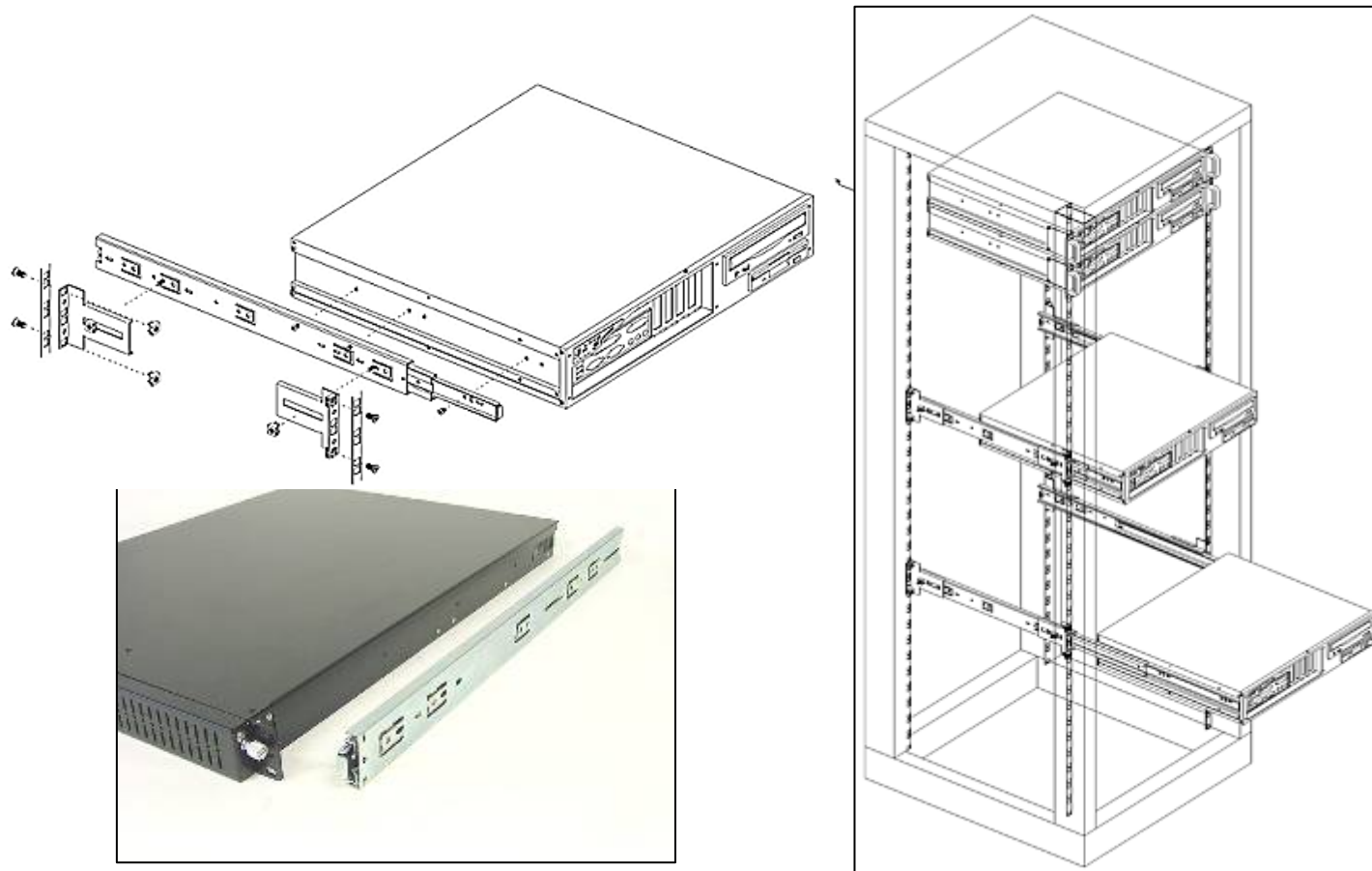
DISTRIBUTION



- EIA cabinets have to have the standard 1U pitch = 44.45mm (1.75")
- Chassis always measured in U heights 1U, 2U....
- Clearance of 7.62mm standard- therefore actual server height is  $44.5 \times U - 7.62$



# *Accuride* Slide installation



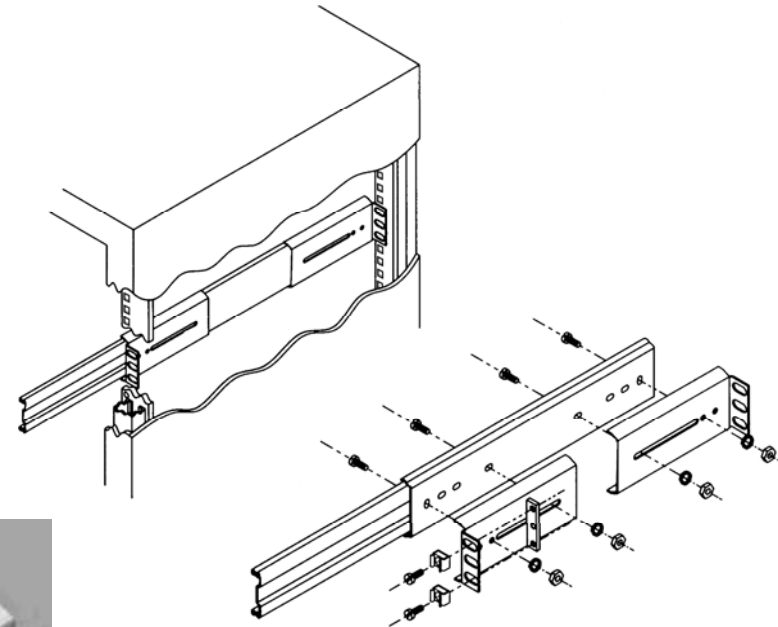
Installing slides into electronic enclosures 2012

DISTRIBUTION

# *Accuride* Adjustable mount



- Uprights in 19" racks are adjustable in the front to back dimension
- Varying depths of enclosure uprights are catered for with adjustment on rear bracket.



# Accuride Bracket kits



DZ63374-4  
2907



DZ63460-4  
0201, 0204, 0301, 0305



DZ63480-4  
3301, 3307, 3308



DZ63485-4  
3507



DZ63450-4  
0201, 0204, 0301, 0305



DZ65490-4  
3607, 5321, 5321SC



DZ63470-4  
0305 recessed

Installing slides into electronic enclosures 2012

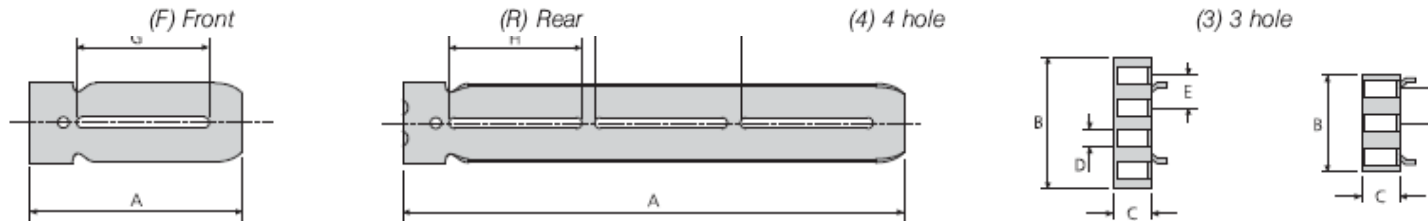
DISTRIBUTION

# Accuride Bracket kits



63xxx	mm												kg
	SL	A (F)	A (R)	B (4)	B (3)	C	D	E	G	H	J	K	
DZ63450-4	0201, 0204, 0301, 0305	69.9	266.7	57.2	-	15.0	6.35	12.7	-	76.2	82.6	165.1	0.46
DZ63460-4	0201, 0204, 0301, 0305	69.9	266.7	-	43.7	15.0	6.5	15.9	-	76.2	82.6	165.1	0.44
DZ63470-4	0305*	76.5	274.6	69.9(F) 64.0(R)	-	19.8	5.5(F) 7.4(R)	15.9	48.0	76.2	82.6	165.1	
DZ63480-4	3301, 3307, 3308	114.6	114.6	-	44.5	18.3	7.4	15.2	66.0	-	-	-	0.41
DZ65490-4	3607, 5321, 5321SC	140.0	140.0	60.0	-	14.0	5.5	15.9	96.0	-	-	-	0.75
DZ63374-4	2907	77.2	153.4	-	44.2	17.5	-	15.9	-	-	-	-	0.38
DZ63485-4	3507	77.6	153.8	-	55.7	17.8	5.3	15.9	-	-	-	-	

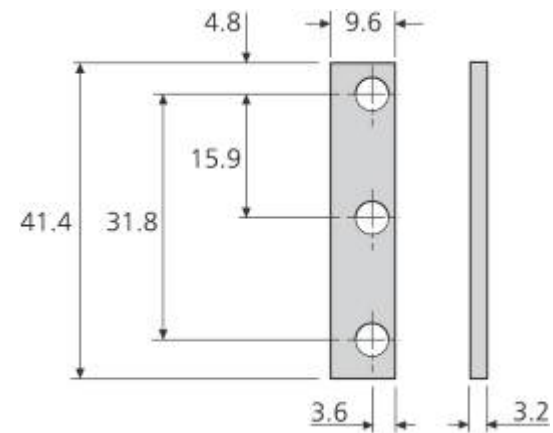
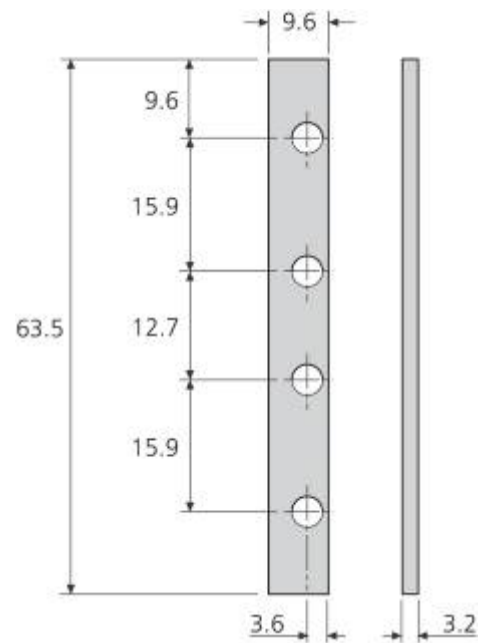
\* Recessed



Installing slides into electronic enclosures 2012

DISTRIBUTION

# Accuride Bar nuts

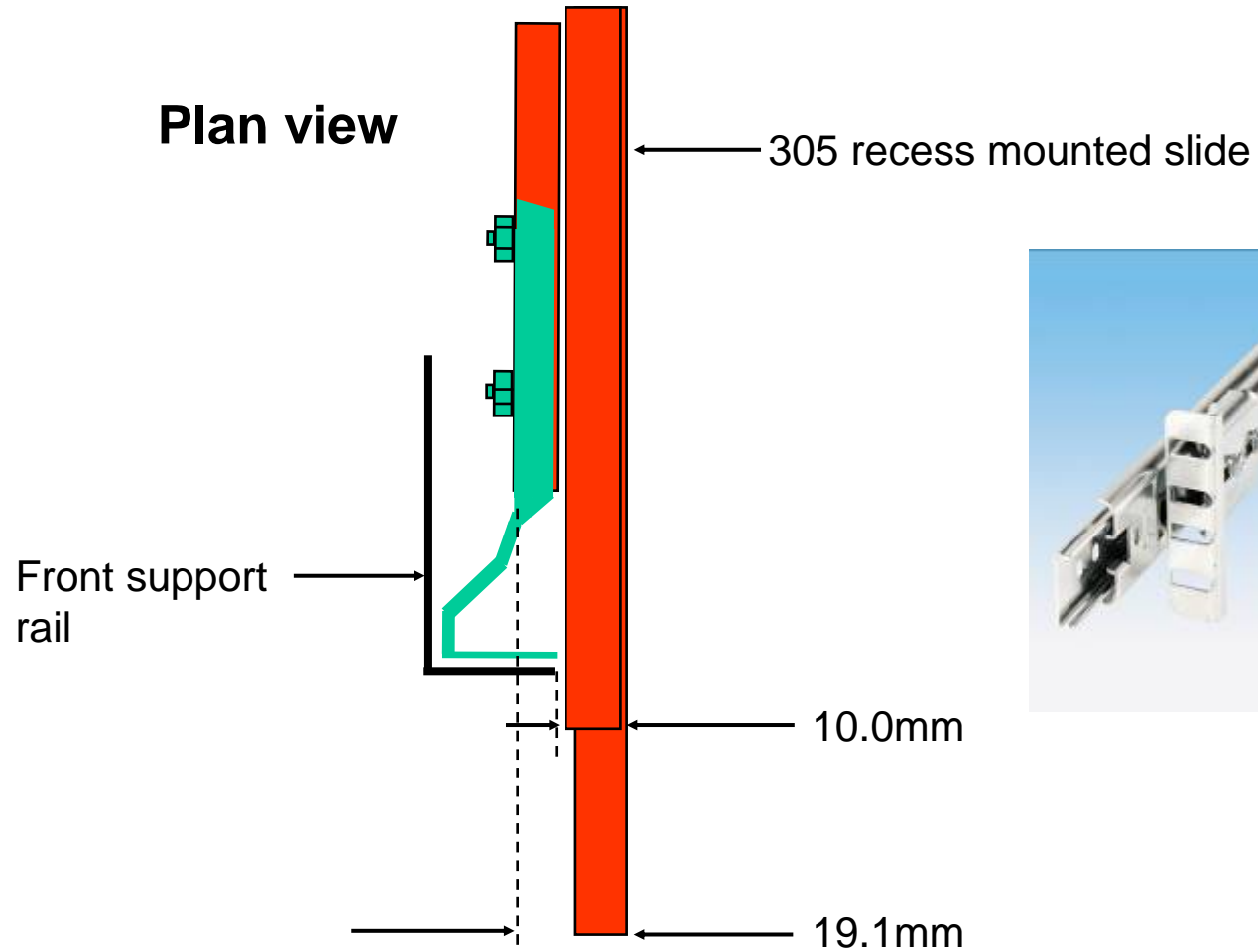


Installing slides into electronic enclosures 2012

DISTRIBUTION



# Accuride 305 recess mounting



Installing slides into electronic enclosures 2012

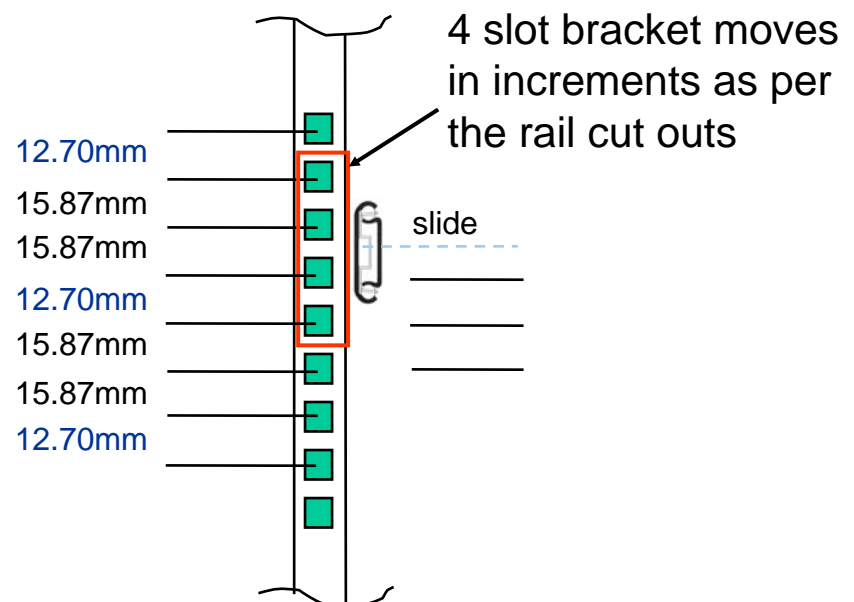
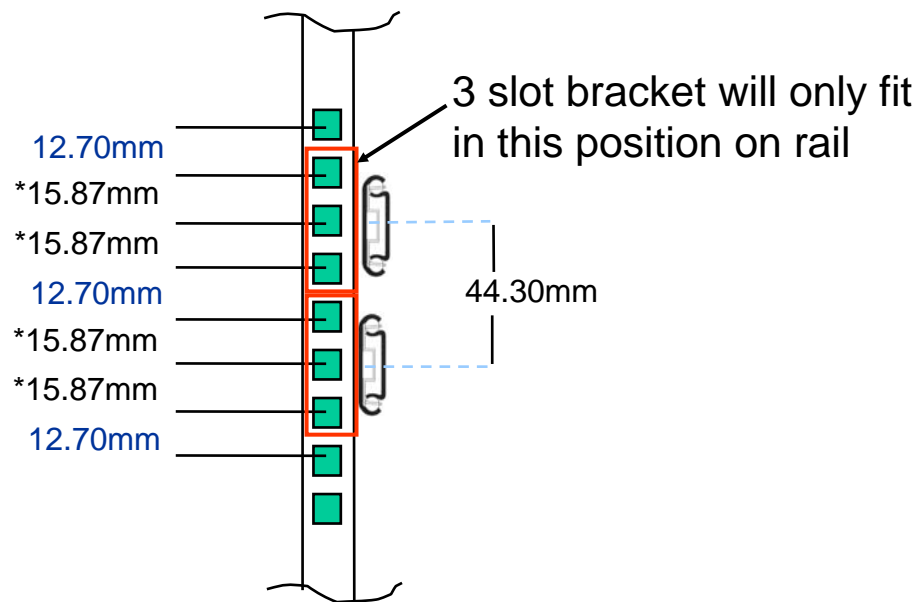
DISTRIBUTION

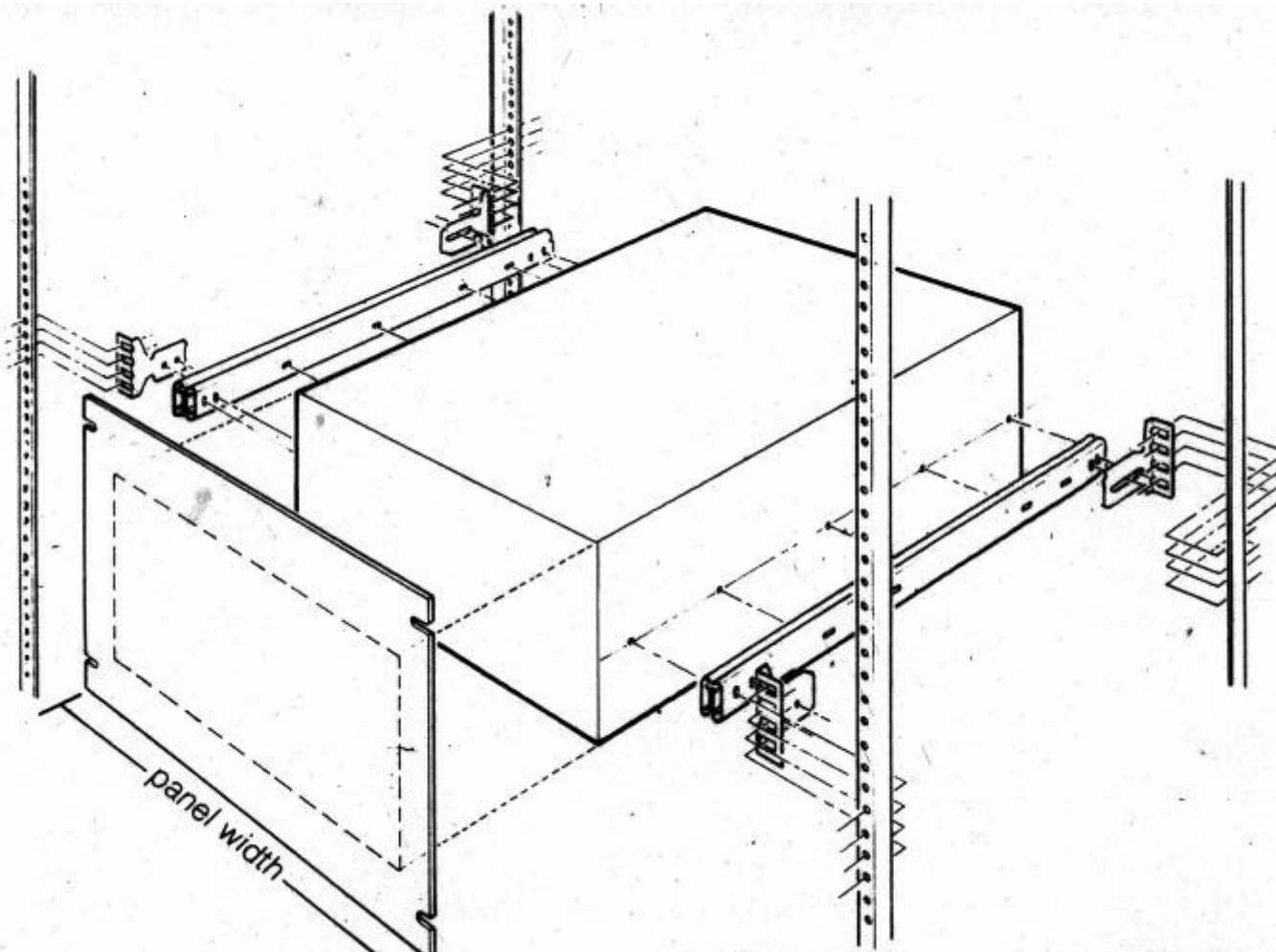


# Accuride Bracket choice - 3 or 4 slot



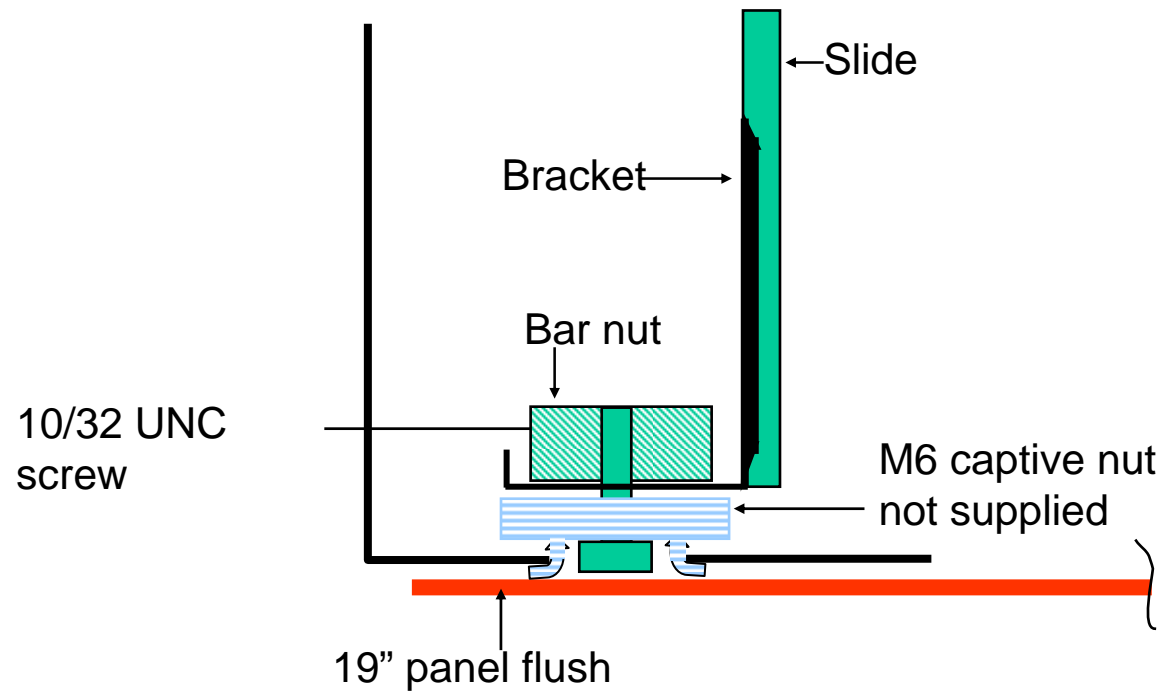
- 3 slot 1U bracket limits position options on mounting rail





Installing slides into electronic enclosures 2012

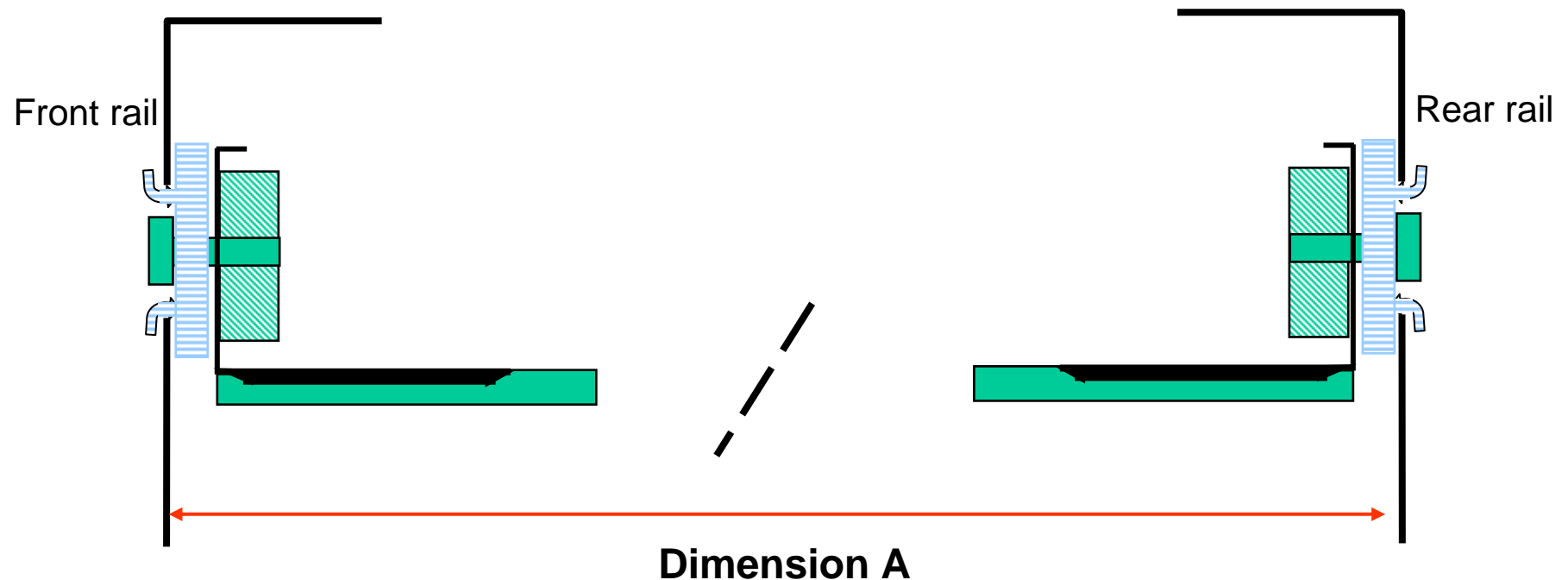
DISTRIBUTION



# *Accuride* Slide length selection



- Select slide length closest to dimension A minus 10mm
- Select rear bracket with appropriate adjustment



# *Accuride* Summary

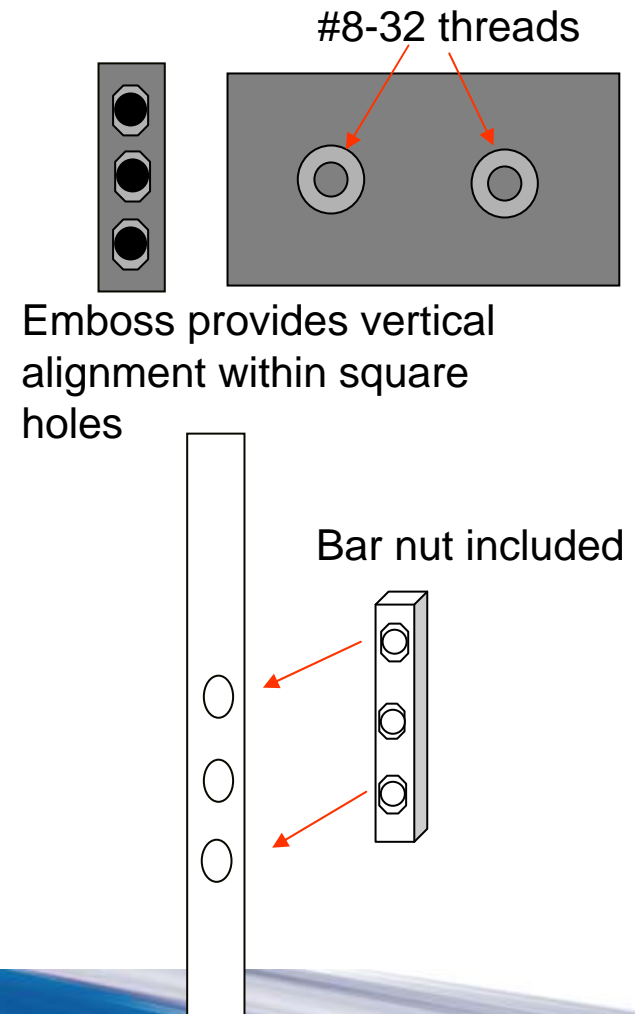
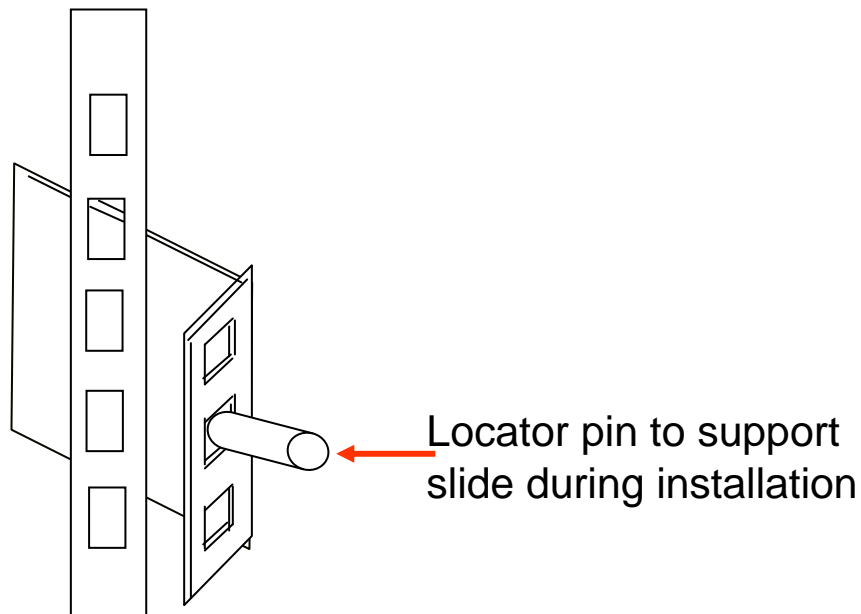


- Select slide in normal way
- Select 3/4 slot bracket option dependant on position & height available
- Select slide length
- Identify bracket kit
- Assemble slide & brackets

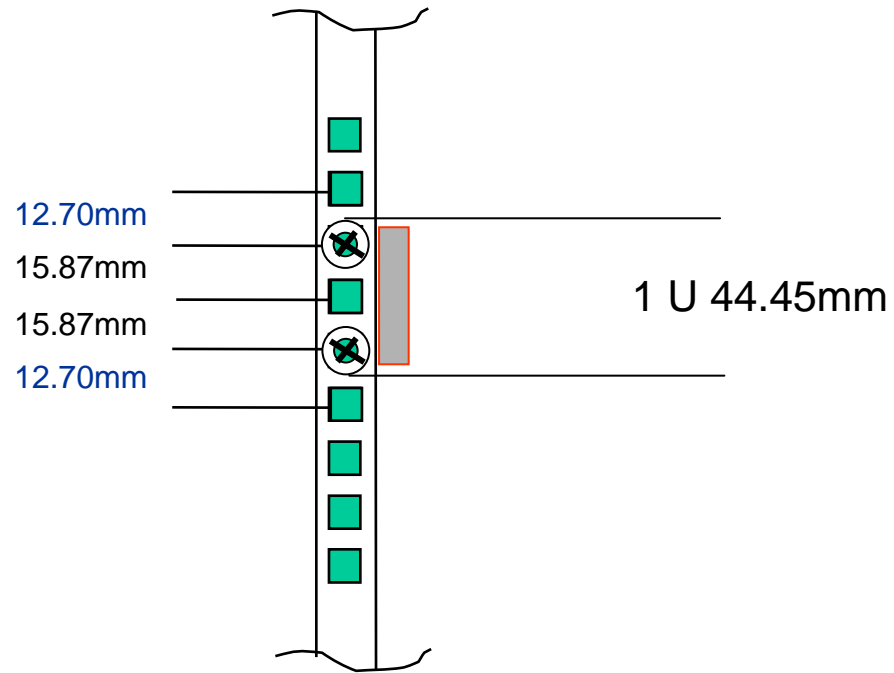
# Accuride 2907 bracket kit



- 4 x 3 slot brackets
  - 2 x short for front
  - 2 x long for rear (44mm adjustment)
  - + hardware



# Accuride 2907 standard spacing



Installing slides into electronic enclosures 2012

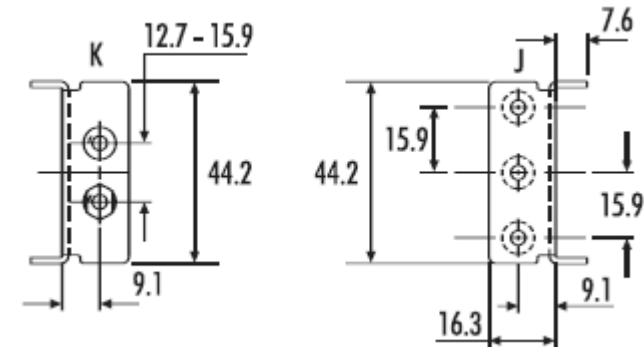
DISTRIBUTION



# Accuride 2907WB bracket kit



- Adjustable front and rear bracket
- Reversible to fit all pitch patterns
  - fixed and adjustable hole locations



Installing slides into electronic enclosures 2012

DISTRIBUTION